

DT 25

EQUIP. TYPE *R390A/URR* EXP. NO.

COL. 372-115-00

NOTICE: WHEN GOVERNMENT DRAWINGS, SPECIFICATIONS, OR OTHER DATA ARE USED FOR ANY PURPOSE OTHER THAN IN CONNECTION WITH A DEFINITELY RELATED GOVERNMENT PROCUREMENT OPERATION, THE UNITED STATES GOVERNMENT THEREBY INCURS NO RESPONSIBILITY FOR ANY DELIBERATION WHATSOEVER, AND THE FACT THAT THE GOVERNMENT MAY HAVE FORMULATED, PUBLISHED, OR IN ANY WAY SUPPLIED THE SAID DRAWINGS, SPECIFICATIONS, OR OTHER DATA IS NOT TO BE REGARDED BY IMPLICATION OR OTHERWISE AS IN ANY MANNER LICENSING THE HOLDER OR ANY OTHER PERSON OR CORPORATION, OR CONVEYING ANY RIGHTS OR PERMISSION TO MANUFACTURE, USE, OR SELL ANY PATENTED INVENTION THAT MAY IN ANY WAY BE RELATED HERETO.

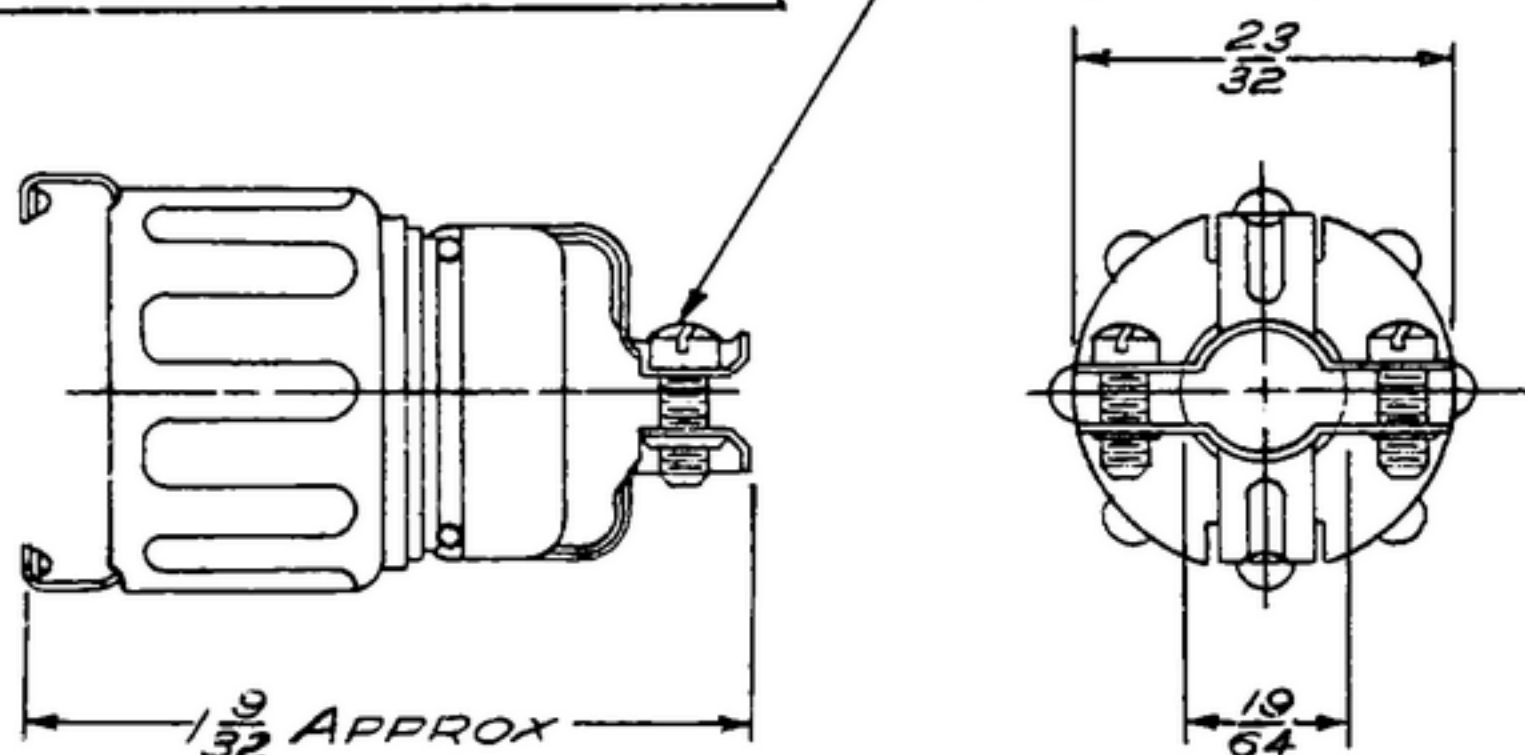
THIS DOCUMENT HAS BEEN PURCHASED BY THE GOVERNMENT AND MAY BE REPRODUCED AND USED IN CONNECTION WITH ANY GOVERNMENT PROCUREMENT OR MAINTENANCE OPERATION.

* FOR INFORMATION ONLY. CONTRACTOR MAY AT HIS OPTION DEVIATE FROM THESE PROCESS DETAILS.

REVISIONS			
SYM	DESCRIPTION	DATE	APPROVAL
A ₂	A ₁ ADDED NOTE 2 A ₂ WAS MIL-P-14	15 OCT 59	42428-PC 59-A1-51 REV'D PME

3-56 NF-2A x 3/16
2 SCREWS FIL. HD.

~~*SWE APPROVAL~~
~~SYM PR10042-6~~



NOTES:

- PART MAY BE #26-834, AS SUPPLIED BY AMERICAN PHENOLIC CORP., CHICAGO, ILL., OR EQUAL, PROVIDING IT MEETS THE FOLLOWING REQUIREMENTS AND DIMENSIONS SHOWN.

DESCRIPTION: COVER WITH CABLE CLAMP AND LOCKING SLEEVE FOR USE WITH FRONT AND REAR PANEL MOUNT RECEPTACLE CONNECTORS.

INSULATION: MICA-FILLED PHENOLIC TYPE MFE OR BETTER IN ACCORDANCE WITH MILITARY SPECIFICATION MIL-M-14. ALTERNATE INSULATION MAY BE POLYESTER TYPE MOLDED PLASTIC IN ACCORDANCE WITH SPEC MIL-P-4389.

METAL PARTS: BRASS, FINISH: M312 PER SPEC MIL-F-14072, EXCEPT TENSION RING SHALL BE MAGNETIC OR NON-MAGNETIC SPRING MATERIAL.

- COVER & CABLE CLAMP SHALL MEET THE APPLICABLE REQUIREMENTS OF MIL-C-8384 EXCEPT WHERE AMENDED BY THIS SPECIFICATION

COLLINS PART NO.	ITEM	REQD	PART NO.	DESCRIPTION	MATL	MATL SPEC
LIST OF MATERIAL						
COLLINS PART NO. <i>5590298-002</i>						

DRAWN <i>NUGEN</i>		CHECKED <i>[Signature]</i>	APPROVED	COLLINS RADIO CO. CEDAR RAPIDS, IOWA <i>14214-PH-51-93</i>		DEPARTMENT OF THE ARMY SIGNAL CORPS ENGINEERING LABORATORIES FORT MONMOUTH NEW JERSEY <i>SM-B-283197</i>
UNLESS OTHERWISE SPECIFIED: DECIMAL DIMENSIONS INCLUDING HOLE SIZES MAY VARY ±.005 FRACTIONAL DIMENSIONS INCLUDING HOLE SIZES MAY VARY ±1/64 MACHINED ANGLES MAY VARY ±.1° SHEARED ANGLES MAY VARY ±.25° BROKEN ANGLES MAY VARY ±.1° ECCENTRICITY BETWEEN ANY DIAMETERS ON THE SAME CENTERLINE SHALL NOT EXCEED .010 TOTAL INDICATOR READING. ALL DIMENSIONS ARE FINISH DIMENSIONS INCLUDING APPLIED FINISH AND ARE GIVEN IN INCHES.		SIGNAL CORPS REVIEWED <i>PME</i> APPROVED <i>HLV</i> <i>PME</i>		<i>COVER-CONNECTOR</i>		
APPLICATION COLLINS NO. QTY NEXT ASSY USED ON		DATE <i>16-JAN-56</i> SCALE <i>2/1</i>				
<i>SM-E-44676</i> <i>SM-B-144772</i> <i>SC-DL-144500</i> <i>SM-C-143957</i> <i>SC-DL-143280</i> <i>558-0455004-3</i> <i>SM-D-249103</i> <i>SC-DL-248775</i>						